

# SIGNATURE



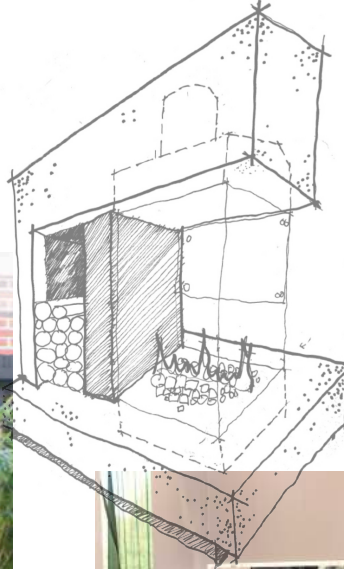


# SIGNATURE

SS | SM | SL

## TRULY CUTTING EDGE DESIGN

The Signature range is truly cutting edge design. With the ability to add glass to one, two, three or four sides of the Double Vision, Elegance, Simplicity or Pure Vision models, it allows the designer total flexibility. Once the decision has been made on which sides will have glass, the designer then has the option to extend the glass up to 1600mm, creating an incredible design centrepiece for the modern home or commercial space.



Decorative

Contemporary

Electronic ignition

New application

Natural gas or LPG

Pebble or coals and logs

Conventional or Power Flue

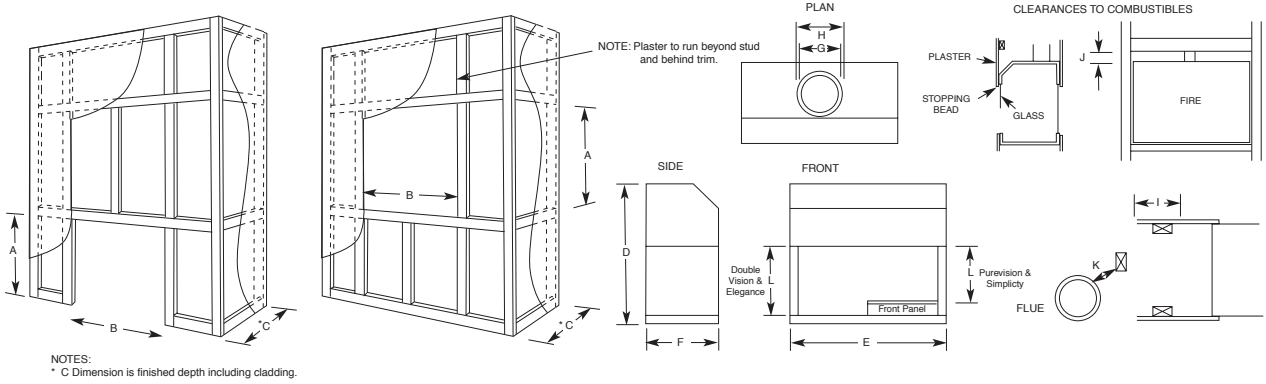
Glass options on all sides up to 1600mm

Conceived, designed, researched, developed and built in Australia



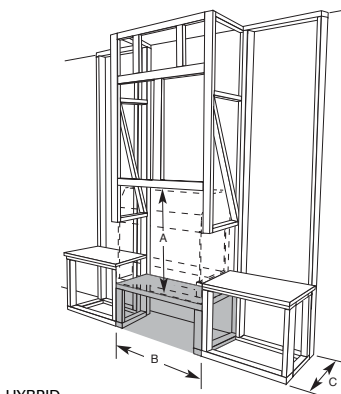
# SIGNATURE

Note: The Signature range are delivered fully assembled. Always check that unit is square before fixing.

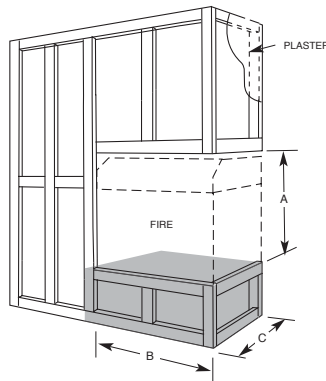


NOTES:  
\* C Dimension is finished depth including cladding.

	A			B	C	D			E	F	G	H	I	J	K	L			Mj/hr		GPO	VENTILATION
	SS	SM	SL			SS	SM	SL								SS	SM	SL	NG	LP		
DOUBLEVISION	1130	1330	1530	1000	600	1030	1230	1430	950	600	225	275	25	100	25	600	800	1000	54	43	NO	40000
ELEGANCE 850	1220	1420	1620	1000	475	1120	1320	1520	950	450	200	250	25	100	25	720	920	1120	37	33	YES	32000
ELEGANCE 1000	1220	1420	1620	1150	475	1120	1320	1520	1100	450	250	300	25	100	25	720	920	1120	39	34	YES	50000
ELEGANCE 1500	1270	1470	1670	1650	475	1170	1370	1570	1600	450	300	350	25	100	25	620	820	1020	55	48	YES	72000
ELEGANCE 1800	1410	1610	1810	1950	475	1310	1510	1710	1900	450	300	350	25	100	25	620	820	1020	60	48	YES	72000
PUREVISION 850	1220	1420	1620	1000	475	1120	1320	1520	950	450	200	250	25	100	25	600	800	1000	37	33	YES	32000
PUREVISION 1000	1220	1420	1620	1150	475	1120	1320	1520	1100	450	250	300	25	100	25	600	800	1000	39	34	YES	50000
PUREVISION 1500	1270	1470	1670	1650	475	1170	1370	1570	1600	450	300	350	25	100	25	500	700	900	55	48	YES	72000
PUREVISION 1800	1410	1610	1810	1950	475	1310	1510	1710	1900	450	300	350	25	100	25	500	700	900	60	48	YES	72000
SIMPLICITY 850	1220	1420	1620	1000	475	1120	1320	1520	950	450	200	250	25	100	25	600	800	1000	37	33	YES	32000
SIMPLICITY 1000	1220	1420	1620	1150	475	1120	1320	1520	1100	450	250	300	25	100	25	600	800	1000	39	34	YES	50000
SIMPLICITY 1500	1270	1470	1670	1650	475	1170	1370	1570	1600	450	300	350	25	100	25	500	700	900	55	48	YES	72000
SIMPLICITY 1800	1410	1610	1810	1950	475	1310	1510	1710	1900	450	300	350	25	100	25	500	700	900	60	48	YES	72000



HYBRID



ISLAND

	A			B	C
	SS	SM	SL		
DOUBLEVISION	1130	1330	1530	975	600
PUREVISION / SIMPLICITY 850	1220	1420	1620	975	475
PUREVISION / SIMPLICITY 1000	1220	1420	1620	1125	475
PUREVISION / SIMPLICITY 1500	1270	1470	1670	1625	475
PUREVISION / SIMPLICITY 1800	1410	1610	1810	1925	475

	A			B	C
	SS	SM	SL		
DOUBLEVISION	1130	1330	1530	950	600
PUREVISION 850	1220	1420	1620	950	450
PUREVISION 1000	1220	1420	1620	1100	450
PUREVISION 1500	1270	1470	1670	1600	450
PUREVISION 1800	1410	1610	1810	1900	450

## WARRANTY

Firebox: 15 Years Components: 2 Years

VISIT [WWW.REALFLAME.COM.AU](http://WWW.REALFLAME.COM.AU) FOR MORE TECHNICAL INFORMATION.

