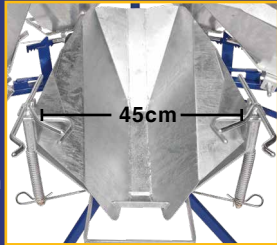


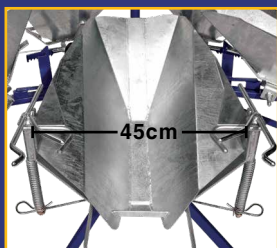
# HARVESTAIRE LAMB MARKING CRADLE

BUILD YOUR LAMB CRADLE AND SHOP SECURELY ONLINE FROM JUNE 2021

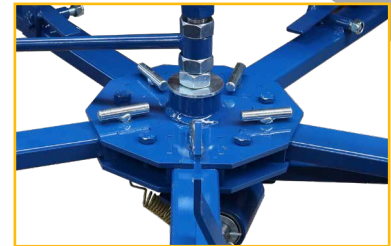
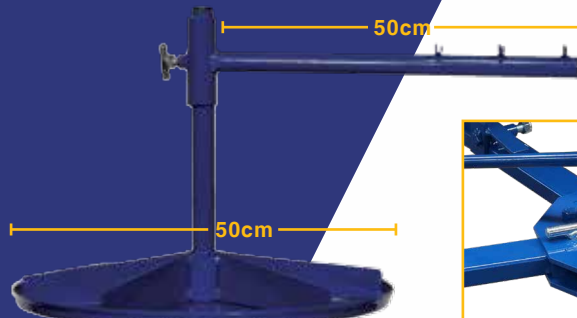
[www.harvestaire.com.au](http://www.harvestaire.com.au)



WIDE BUCKET OPTION



MAXI BUCKET OPTION



DETACHABLE BUCKET ARM



STANDARD BUCKET

40cm

25cm

RELEASE FLIP HANDLE

'R' PIN  
(Stronger & more reliable)

DELUXE 5 BUCKET ASSEMBLY ILLUSTRATED  
(Includes tray, vaccine arm and detachable bucket arms)

**BEST SELLER**

3 STANDARD AND 2 WIDE BUCKETS  
CODE LC129

## KEY BENEFITS & FEATURES

1. Automatic release of lambs
2. Easy loading
  - Wide bucket option - 5cm wider
  - Maxi bucket option - 5cm wider & 5cm deeper
3. Less damage to joints
4. Lambs held calmly
5. Enhanced animal welfare
6. Adjustable stand height
7. Labour saving - people + time
8. Detachable arms allow for easy transport

# HARVESTAIRE LAMB MARKING CRADLE PRICE LIST

Valid April 1st 2021 to March 31st 2022

Product	Code	RRP (Excl GST)			
<b>Complete Harvestaire Lamb Marking Cradle Sets</b>					
Lamb Marking Cradle 5 Berth Deluxe - Best Seller - Including 3 Standard & 2 Wide Buckets	LC129	\$2 900			
Lamb Marking Cradle 3 Berth Deluxe Including 2 Standard & 1 Wide Buckets	LC262	\$2 150			
Lamb Marking Cradle 4 Berth Deluxe Including 2 Standard & 2 Wide Buckets	LC263	\$2 600			
Lamb Marking Cradle 6 Berth Deluxe Including 3 Standard & 3 Wide Buckets	LC264	\$3 410			
Lamb Marking Cradle 7 Berth Deluxe Including 3 Standard & 4 Wide Buckets	LC265	\$3 870			
1. The models listed above represent the most popular configurations. Contact Harvestaire if you want to discuss other options. 2. From 2021 Maxi buckets are not offered as part of a complete set but can be added onto your purchase.					
<b>Additional Buckets - Complete Kits</b>					
Complete Standard Bucket (40cm Wide X 25cm Deep) Includes Arm, Catch, Larger T Pin, Leg Pins, Springs And "R" Clip Wire	LC034	\$450			
Complete Wide Bucket (45cm Wide X 25cm Deep) Includes Arm, Catch, Larger T Pin, Leg Pins, Springs And "R" Clip Wire	LC036	\$520			
Complete Maxi Bucket (45cm Wide X 30cm Deep) Includes Arm, Catch, Larger T Pin, Leg Pins, Springs And "R" Clip Wire	LC035	\$590			
<b>Harvestaire Lamb Marking Cradle Spare Parts</b>					
Product	Code	RRP (Excl GST)	Product	Code	RRP (Excl GST)
Standard Bucket (40cm Wide X 25cm Deep) Includes Larger T Pin, Leg Pins, Springs And "R" Clip Wire Excl. Arm And Catch	LC016	\$350	Lamb Cradle Deluxe Centre Post (Replacement Unit)	LC151	\$84
Wide Bucket (45cm Wide X 25cm Deep) Includes Larger T Pin, Leg Pins, Springs And "R" Clip Wire Excl. Arm And Catch	LC017	\$420	Lamb Cradle Deluxe Tool Tray (Replacement Unit)	LC152	\$140
Maxi Bucket (45cm Wide X 30cm Deep) Incl. Larger T Pin, Leg Pins, Springs And "R" Clip Wire Excl. Arm And Catch	LC004	\$490	Lamb Cradle Trip Arm Including Wheel (Replacement Unit)	LC156	\$85
Bucket Catch - Lock Bucket Onto Arm (Suits Standard, Wide & Maxi Bucket)	LC008	\$50	Lamb Cradle Deluxe Tool Tray Divider (Replacement Unit)	LC159	\$40
Lamb Cradle Leg Pin LHS "R" Type (Zinc Plated) All Standard & Wide Buckets From 2012 Onwards	LC011	\$30	Straight Leg Spring Wire 235Mm X 5Mm (Zinc Plated) Suits Models Prior To 2012	LC169	\$6
Lamb Cradle Leg Pin RHS "R" Type (Zinc Plated) All Standard & Wide Buckets From 2012 Onwards	LC013	\$30	Complete Lamb Cradle Counter Kit	LC172	\$110
Lamb Cradle Deluxe Turntable 5 Arm (Replacement Unit)	LC014	\$375	Leg Pin Spacer (10Nbx13L) To Adapt Pre-2012 Models To Work With Newer Leg Pins	LC210	\$1
Lamb Cradle Bearing (6205) - Suits Top Of Turntable (X1) Or Latch Handle (X2)	LC041	\$20	Lamb Cradle Ratchet Teeth (Replacement Set, Welded On)	LC223	\$20
Lamb Cradle Bearing (30205J) - Suits Bottom Of Turntable (X1)	LC049	\$25	Small T Pin 60mm - Hub - (3,4,5,6,7 Arm Models Only) - Zinc Plated	LC251	\$16
Latch Handle Return Spring - Used To Lock Bucket Arm In Place	LC050	\$15	Complete Lamb Cradle Deluxe Kit Includes Centre Post, Tool Tray, Tool Tray Divider, Vaccine Arm	LC266	\$290
Leg Pin R Clip Spring Wire (Galvanised) - Suits All Models (X2 Per Bucket)	LC052	\$14	Centre Threaded Shaft (M24x330mm) For Lamb Cradle Turntable (Bearings Not Included)	LC340	\$65
Leg Pin Spring LHS (35G)	LC054	\$15	Bucket T-Pin With R-Clip (B9) - Suits Models Prior To 2020	LC342	\$30
Leg Pin Spring RHS (35G)	LC055	\$15	Bucket T-Pin With R-Clip (B9) - Suits Models From 2020 Onwards	LC343	\$25
Lamb Cradle Deluxe Arm With Vaccine Bag Hooks (Replacement Unit)	LC142	\$55			
<b>Fixed Price Shipping on Complete Lamb Marking Cradle Sets</b>					
<b>Size: 1170 (H) x 1320 (W) x 590 (L) - 120Kg (0.91 Cubed)</b>					<b>RRP (Excl GST)</b>
Western Australia					\$175
South Australia (Mainland)					\$230
Victoria and New South Wales					\$250
Queensland					\$280
Tasmania					\$350

All other items are freighted at cost

**FREIGHT: ALL PRICES ARE EX BALCATTA, PERTH AND EXCLUDE GST (Valid April 1st 2021 to March 31st 2022)**

✉ sales@harvestaire.com.au  
☎ +61 08 9344 7433  
📍 18 Mumford Place, Balcatta Western Australia, 6021



www.harvestaire.com.au

**PROUDLY  
MANUFACTURED  
IN AUSTRALIA**