

ELEMENT DS

EXUDING STYLE AND AMBIENCE

Double the viewing pleasure delivered in 2 sizes, the Real Flame Element 1200 & 1800 DS combines clean lines and cutting-edge design to present a truly stunning fireplace.

One of our most sought-after sizes, the Element 1200 DS achieves twice the ambience with the addition of a double-sided visual display to deliver flickering flames from all viewpoints. Be drawn straight to the flames with multiple media options to elevate your room and captivate your senses.

Representing the epitome of modern design, the Element DS will be the focal point of any space.

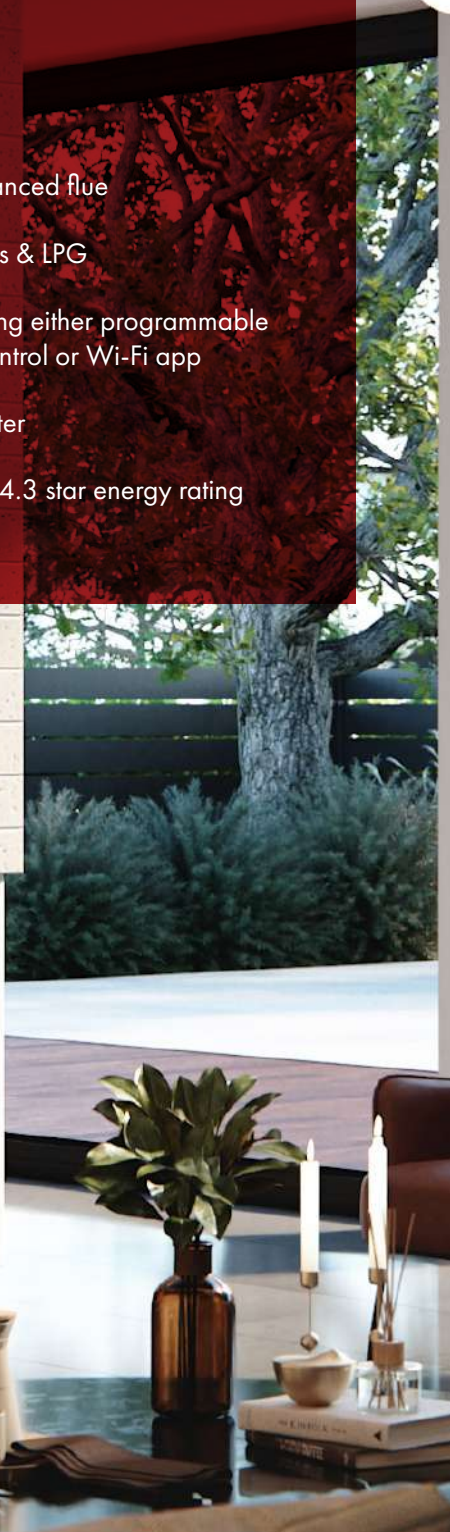
Power balanced flue

Natural gas & LPG

Control using either programmable Remote Control or Wi-Fi app

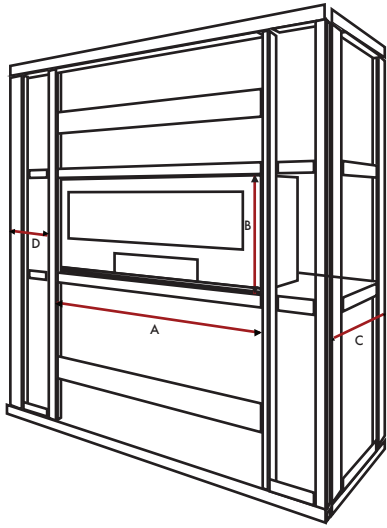
Space heater

Impressive 4.3 star energy rating



TECHNICAL SPECIFICATIONS

ELEMENT 1200 DS

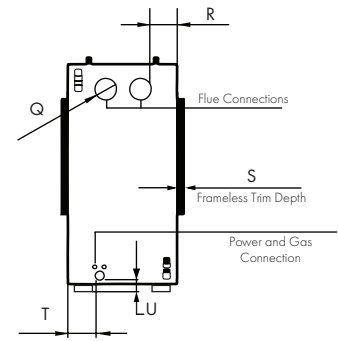
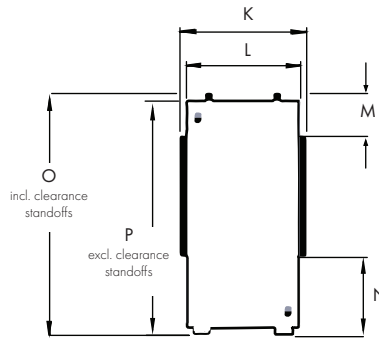
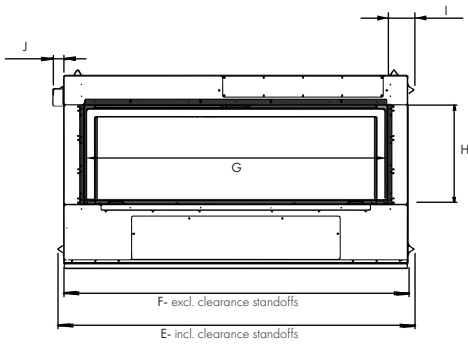


MINIMUM FRAME OUT DIMENSIONS

A	B	C ¹	D ²
1595	850	400	325

1 - Minimum timber frame dimension. Once 10mm plasterboard is added on both sides, this will lead to the frameless trim protruding by approximately 10mm. For a flush finish, C may be increased to 420mm.
 *Refer to IOM for latest framing and installation details

2 - Allows for flue attachment and required clearance to flue. Take note of flue, power and gas connection locations detailed below.



UNIT DIMENSIONS

E	F	G	H	I	J	K	L	M	N	O	P	Q	R	S	T	O
1520	1470	1293	424	114	45	445	395	150	275	848	823	74.5(OD)	100	23	100	40

PERFORMANCE DATA



Room Size	Mj/h		kW	Star Rating
Up to 100m ²	H	L	Dependent on flue configuration 6.3 - 7.4	Up to 4.3
	32	27		

MEDIA OPTIONS



Driftwood w/black diamond glass



Redgum w/black diamond glass



Pebbles w/ black diamond glass
 * 4 pebble colour option- (mixed) shown above, black, white & grey

WARRANTY

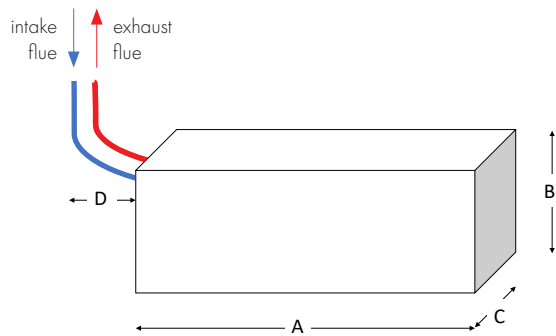
Firebox : 15 Years Components: 2 years

VISIT WWW.REALFLAME.COM.AU FOR MORE TECHNICAL INFORMATION.



TECHNICAL SPECIFICATIONS

ELEMENT 1800 DS

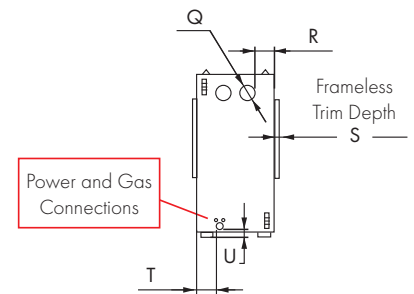
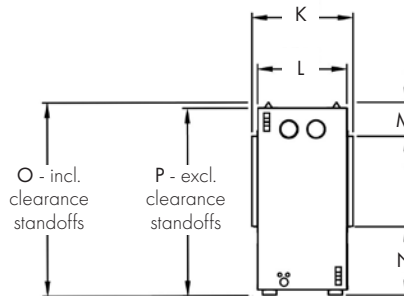
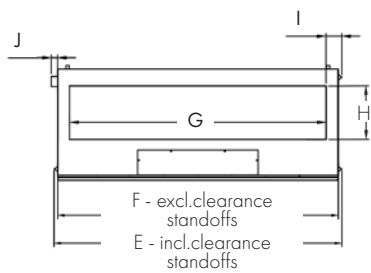


FRAME OUT DIMENSIONS

A	B	C ¹	D ²
2125	850	400	325

1 – minimum timber frame dimension. Once 10mm plasterboard is added on both sides, this will lead to the frameless trim protruding by approx. 10mm. For a flush finish, C may be increased to 420mm.

2 – allows for flue attachment and required clearance to flue. Take note of flue, power, and gas connection locations detailed below.



UNIT DIMENSIONS

E	F	G	H	I	J	K	L	M	N	O	P	Q	R	S	T	U
2125	2071	1893	398	114	45	445	395	150	300	848	823	74.5(OD)	100	23	100	40

CLEARANCES TO COMBUSTIBLES

25mm clearance to combustibles from flue, ends and top of unit. Zero clearance required on the bottom. If installing a combustible facing to the viewing sides, allow 25mm clearance above the top of the trim.

PERFORMANCE DATA



Room Size	Mj/h		kW	Star Rating
Up to 120m ²	H	L	Dependent on flue configuration	Dependent on flue configuration
	39	32	8.7 - 9.0	4.3 - 4.6

MEDIA OPTIONS



Driftwood w/black diamond glass



Redgum w/black diamond glass



Pebbles w/ black diamond glass
*4 pebble colour option- (mixed) shown above, black, white & grey

WARRANTY

Firebox : 15 Years Components: 2 years

VISIT WWW.REALFLAME.COM.AU FOR MORE TECHNICAL INFORMATION.

